

# 2025 MAINTENANCE & MARINE ACCESSORIES



**TACO**<sup>®</sup>  
MARINE

800.653.8568 | TACOMARINE.COM

NEW

# RUB RAIL

## RUB RAIL OVERLAY INSERT KITS

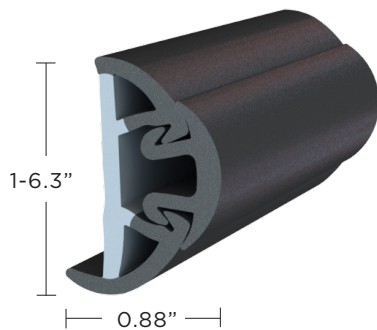


# SUPRO-FLEX

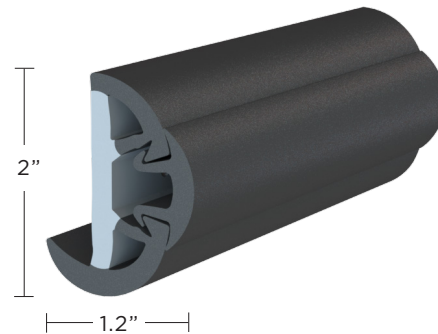
Introducing the Semi-Rigid SuproFlex Rub Rail Kit with a Flexible Vinyl Overlay Insert – an all-in-one Rub Rail replacement kit that compliments a variety of boat types, including bass boats, and freshwater and saltwater bay boats. Semi-Rigid SuproFlex features a semi-rigid vinyl back and a 95-durometer, firmer face, and pairs exclusively with our attractive Flexible Overlay Vinyl Insert for added protection from impact and style. Additionally, this co-extruded vinyl rub rail features shock-absorbing channels for higher impact resistance and requires less heat during installation when compared to other semi-rigid or rigid profiles. This rub rail kit is available in a variety of sizes and colors, and includes stainless steel end caps and screws.



- ▶ Co-extruded to provide two levels of hardness
- ▶ Semi-Rigid backing and 95-durometer front
- ▶ Pairs exclusively with V12-9992 Flexible Overlay Vinyl Insert (included in kit)
- ▶ Shock-absorbing channels for higher impact resistance
- ▶ Lighter weight than traditional vinyl rub rail
- ▶ Requires no pre-forming and minimal heating
- ▶ Predrilled for fasteners
- ▶ Kit includes stainless-steel end caps and screws



V11-9991



V11-9993

PART NUMBER	DESCRIPTION	UPC
V11-9991BBK60-2	SuproFlex Rub Rail Kit, Small, Black w/ Black Insert Overlay, 60'	631367093635
V11-9991WWK60-2	SuproFlex Rub Rail Kit, Small, White w/ White Insert Overlay, 60'	631368093641
V11-9993BBK60-2	SuproFlex Rub Rail Kit, Medium, Black w/ Black Insert Overlay, 60'	631369093657
V11-9993BBK80-2	SuproFlex Rub Rail Kit, Medium, Black w/ Black Insert Overlay, 80'	631370093660
V11-9993WWK80-2	SuproFlex Rub Rail Kit, Medium, White w/ White Insert Overlay, 80'	631371093676



# RUB RAIL

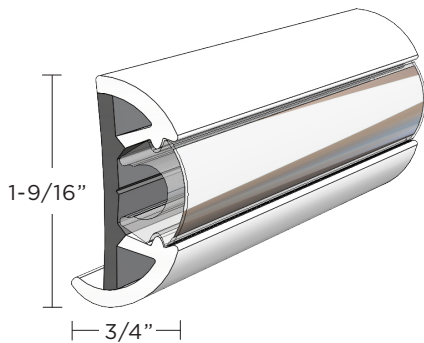
## RUB RAIL KITS



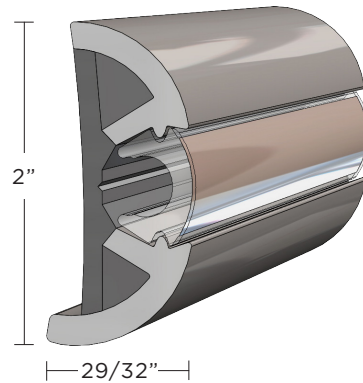
SuproFlex Rub Rail Kits are lightweight and ultra-flexible – saving you time and providing a seamless precision fit. The innovative SuproFlex series is co-extruded vinyl that provides two levels of hardness – ensuring enhanced protection from impact. SuproFlex Rub Rail requires minimal heating – reducing installation time and manpower. Additionally, SuproFlex Rub Rail requires no pre-forming and easily molds to most hull shapes. This rub rail kit is available in a variety of sizes and colors.



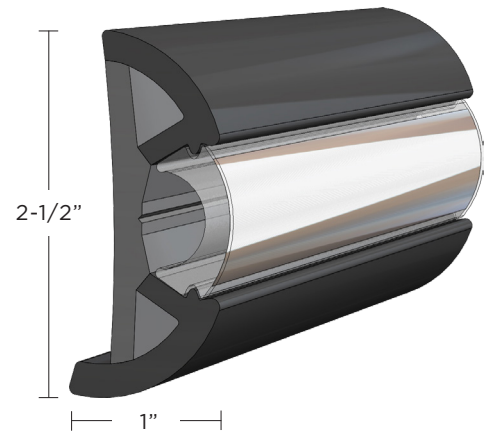
- Tight-radius bending can be made with minimal heating
- Easy handling making these rub rails a good choice for do-it-yourself boaters
- Accepts flex chrome insert V12-0307CP and V12-9980CP
- Kit includes SuproFlex Rub Rail, Flex Chrome Insert, stainless-steel end caps and stainless-steel mounting screws



**V11-9960**



**V11-9990**



**V11-9970**

PART NUMBER	DESCRIPTION	UPC
V11-9960BBK60-2	SuproFlex Rub Rail Kit, Small, Black w/Flex Chrome Insert, 60'	6310040900003
V11-9960WCM60-2	SuproFlex Rub Rail Kit, Small, Frosty White w/Flex Chrome Insert, 60'	6310050900019
V11-9990BBK60-2	SuproFlex Rub Rail Kit, Small, Black w/Flex Chrome Insert, 60'	6310110900072
V11-9990WCM60-2	SuproFlex Rub Rail Kit, Medium, Frosty White w/Flex Chrome Insert, 60'	6310100900066
V11-9990BBK80-2	SuproFlex Rub Rail Kit, Medium, Black w/Flex Chrome Insert, 80'	6310060900025
V11-9990WCM80-2	SuproFlex Rub Rail Kit, Medium, Frosty White w/Flex Chrome Insert, 80'	6310070900031
V11-9990GRD80-2	SuproFlex Rub Rail Kit, Medium, Gray w/Flex Chrome Insert, 80'	631050090460
V11-9970BKA100-1	SuproFlex Rub Rail, Large, Blake, 100', Individual Coil	6310080900047
V12-9980CP100-1	Flex Chrome Insert 15/16" X 17/32", 100', Individual Coil for V11-9970	6310090900053
F16-0276	Stainless Steel End Cap for V11-9970	631015090115

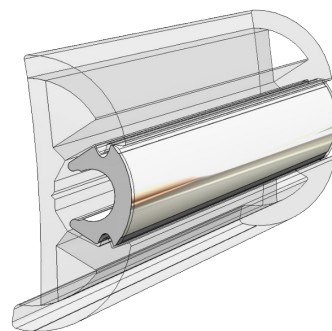
# RUB RAIL INSERTS



Flex Chrome Rub Rail Inserts are the easiest and most cost-effective way to give your boat the elegant look of stainless steel without the price tag. Developed originally for automotive exterior trim applications, our Flex Chrome passed extensive automotive testing for heat/humidity freeze cycle, salt spray, shock and accelerated weathering. It will not corrode, even if penetrated.

## FLEX CHROME INSERT, 3/4" X 1/2"

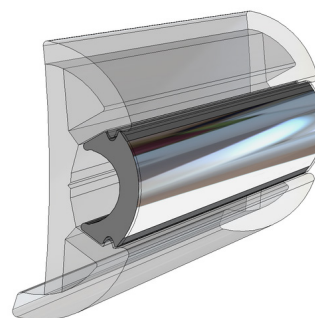
- Denser substrates provide more robust protection
- Authentic "chrome" finish
- Durable materials will provide years of maintenance-free service
- Pairs with V11-9960 and V11-9990 SuproFlex Rub Rail
- Patent number US6349662



PART NUMBER	DESCRIPTION	HEIGHT	WIDTH	UPC
V12-0307CP60	Flex Chrome Insert, L: 60'	3/4"	1/2"	631100090969
V12-0307CP80	Flex Chrome Insert, L: 80'	3/4"	1/2"	631101090975
V12-0307CP200	Flex Chrome Insert, L: 200'	3/4"	1/2"	630838082604
V12-0307GRD88	Flex Chrome Insert, Gray, L: 88'	3/4"	1/2"	631102090981

## FLEX CHROME INSERT, 15/16" X 7/32"

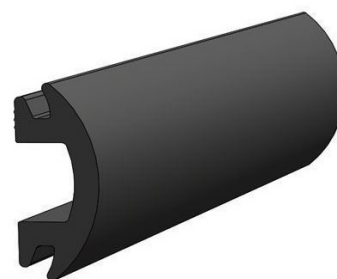
- Denser substrates provide more robust protection
- Authentic "chrome" finish
- Durable materials will provide years of maintenance-free service
- Pairs with V11-9970 SuproFlex Rub Rail
- Patent number US6349662



PART NUMBER	DESCRIPTION	HEIGHT	WIDTH	UPC
V12-9980CP100-1	Flex Chrome Insert, L: 100'	15/16"	17/32"	631009090053

## VINYL INSERT FOR PONTOON BOATS

- Vinyl insert used with most pontoon boats
- Soft PVC insert provides cushion effect to absorb impact
- Insert is 1/2" W x 1-3/16" H



PART NUMBER	DESCRIPTION	PACK	UPC
V12-4144BKA50-1	Flexible Vinyl, Black Rub Rail Insert, 1/2"W x 1-3/16"H x 50'L	4	630838019181
V12-4144BKA70-1	Flexible Vinyl, Black Rub Rail Insert, 1/2"W x 1-3/16"H x 70'L	4	630838019198
V12-4144BKA250	Flexible Vinyl, Black Rub Rail Insert, 1/2"W x 1-3/16"H x 250'L	2	630838019174

# RUB RAIL

## RUB RAIL KITS



Our all-in-one, convenient Vinyl Rub Rail Kits have everything you need to replace your boat's Rub Rail. These affordable kits are designed to meet the functional and aesthetic requirements of most boats. Each kit comes with one continuous coil of seamless Flexible Rub Rail, an insert (when applicable), end caps, screws and an installation guide.



PART NUMBER	DESCRIPTION	PACK	UPC
V11-0809BBK50-2	Flex Vinyl Rub Rail Kit, Blk R/R, Blk Insert, 50'	4	630838007447
V11-0809BBK70-2	Flex Vinyl Rub Rail Kit, Blk R/R, Blk Insert, 70'	4	630838007454
V11-0809BWK50-2	Flex Vinyl Rub Rail Kit, Wht/Wht Insert, 50'	4	630838004637
V11-2423BBK50-2	Flex Vinyl Rub Rail Kit, 1 7/8" Blk/Blk Insert, 50'	4	630838004712
V11-2423BBK70-2	Flex Vinyl Rub Rail Kit, 1 7/8" Blk/Blk Insert, 70'	4	630838004729
V11-3426BBK50-2	Flex Vinyl Rub Rail Kit, Blk R/R, Blk Insert, 50'	2	630838004781
V11-3426BBK70-2	Flex Rub Rail Kit, 7/8", Blk/Blk Insert, 70'	2	630838004798
V11-3447BBK50-2	Flex Vinyl Rub Rail Kit, Blk R/R, Blk Insert, 50'	4	630838007508
V11-3447BBK70-2	Flex Vinyl Rub Rail Kit, Blk R/R, Blk Insert, 70'	4	630838007515
V11-3447BWK50-2	Flex Vinyl Rub Rail Kit, Blk R/R, Wht Insert, 50'	4	630838004866
V11-3447WWK50-2	Flex Vinyl Rub Rail Kit, Wht R/R, Wht Insert, 50'	4	630838008963
V11-4135BKA30-3	Semi Rigid Rub Rail Kit, 1 7/8" Blk, 30'	4	630838018771
V11-9795BBK50D-2	Semi Rigid Rub Rail Kit w/Insert, Blk, 50'	4	630838029104
V11-9811WCM70-2	Semi Rigid Rub Rail Kit w/Flex Chrome Insert, White, 70'	4	630838080785

# RUB RAIL

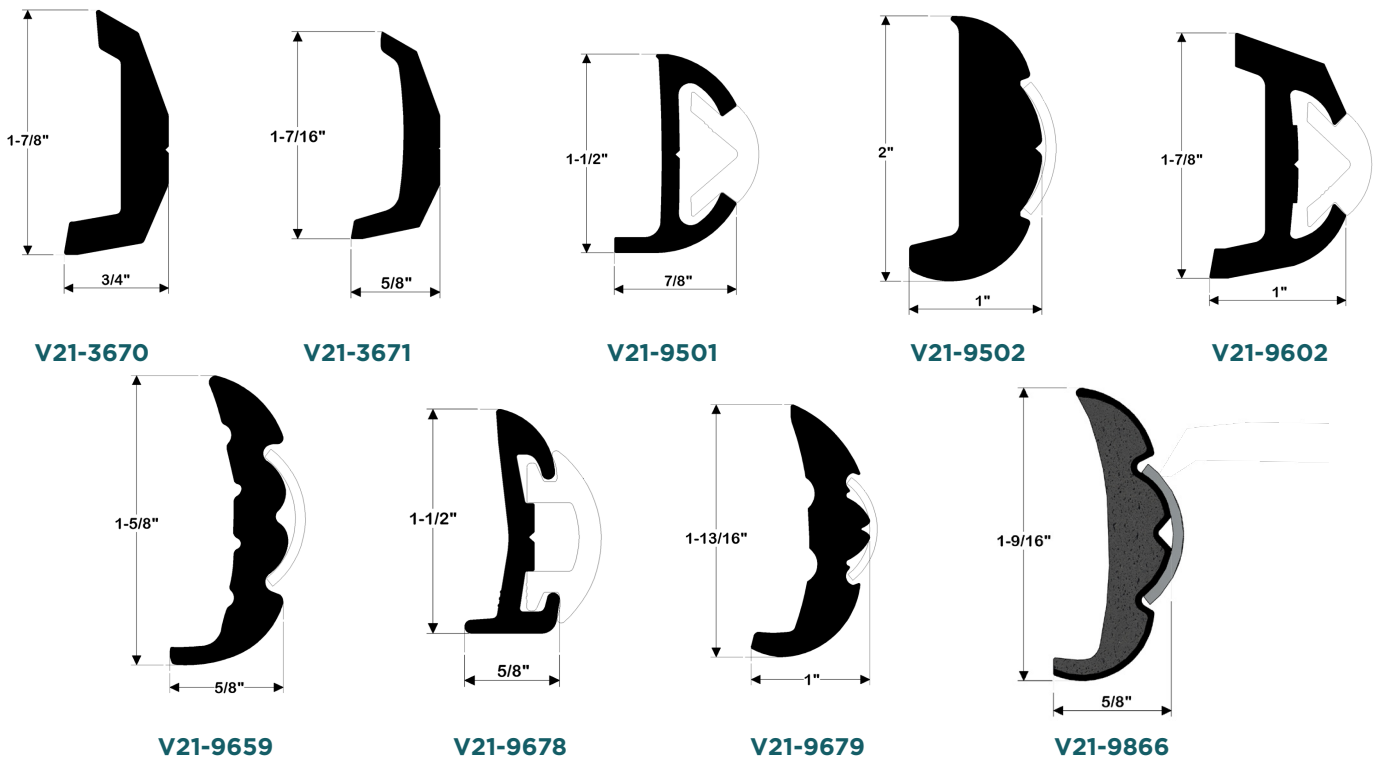
## RIGID RUB RAIL KITS



### CUT LENGTHS FOR EASY SHIPPING

Get Rigid Vinyl Rub Rail delivered to your location with this exclusive cut length kit program! Choose from TACO's 9 most popular Rigid Vinyl Rub Rail profiles to have shipped UPS or FedEx direct to your location. No special freight carrier needed! Each rigid profile and, if applicable, stainless-steel insert, will be cut in shorter sizes with pre-drilled holes for easy installation. Vinyl inserts will arrive in one continuous coil.

**Drawings not to scale**



PART NUMBER	DESCRIPTION	COLOR	INSERT REQUIRED (NOT INCLUDED)	UNIT
V21-3670BKA20D-3	Cut into three pieces (7.5' X 7.5' X 5')	Black	N/A	EA
V21-3670WHA20D-3	Cut into three pieces (7.5' X 7.5' X 5')	Arctic White	N/A	EA
V21-3671BKA20D2-3	Cut into three pieces (7.5' X 7.5' X 5')	Black	N/A	EA
V21-9501WHC20D-3	Cut into three pieces (7.5' X 7.5' X 5')	Frosty White	V12-0303	EA
V21-9502WHC20DV05-3	Cut into three pieces (7.5' X 7.5' X 5')	Frosty White	S11-4650P6-1	EA
V21-9602WHA20D-3	Cut into three pieces (7.5' X 7.5' X 5')	Arctic White	S11-4511P6-1	EA
V21-9659BKA20D-3	Cut into three pieces (7.5' X 7.5' X 5')	Black	S11-4511P6-1	EA
V21-9659WHC20D-3	Cut into three pieces (7.5' X 7.5' X 5')	Frosty White	S11-4511P6-1	EA
V21-9678BKA20D-3	Cut into three pieces (7.5' X 7.5' X 5')	Black	V12-4144	EA
V21-9678WHA20D-3	Cut into three pieces (7.5' X 7.5' X 5')	Arctic White	V12-4144	EA
V21-9679BKA20D-3	Cut into three pieces (7.5' X 7.5' X 5')	Black	S11-4511P6-1	EA
V21-9679WHC20D-3	Cut into three pieces (7.5' X 7.5' X 5')	Frosty White	S11-4511P6-1	EA
V21-9866WHC20D-3	Cut into three pieces (7.5' X 7.5' X 5')	Frosty White	S11-4511P6-1	EA

# RUB RAIL

## RUB RAIL & NAVIGATION LIGHTS



### RIGID VINYL FLEX CORE RUB RAIL

- Solid, rigid PVC cap stock exhibits traditional surface characteristics, appearance and impact properties
- Lightweight, easy handling and installation
- Vacuum calibration tooling allows for tighter dimensional tolerance and sizing consistency
- Drilled and countersunk on 8" centers
- Uses stainless steel inserts S11-4511P (6', 12' & 20')
- High-density core offers improved shock-absorbent impact resistance
- Available in a continuous coil, eliminating butt joints around gunwale
- Improved bending characteristics and ability to cold form



V21-9906



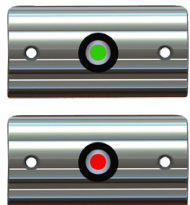
V21-9959



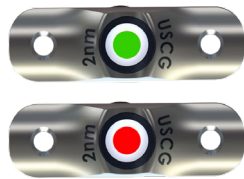
PART NUMBER	DESCRIPTION	UNIT	PACK	UPC
V21-9906WHC60D	Rigid Vinyl Flex-Core Rub Rail, Frosty White, 2" x 60' coil	Each	4	630838084691
V21-9906BKA60D	Rigid Vinyl Flex-Core Rub Rail, Black, 2" x 60' coil	Each	4	630838084684
V21-9959WHC50D	Rigid Vinyl Flex-Core Rub Rail, Frosty White, 1-9/16" x 50' coil	Each	4	630838084363
V21-9959WHC60D	Rigid Vinyl Flex-Core Rub Rail, Frosty White, 1-9/16" x 60' coil	Each	4	630838084370

### RUB RAIL MOUNTED LED NAVIGATION LIGHTS

- 3-Watt Port (Red) and Starboard (Green) LEDs
- Low-draw, less than 0.25 Amperes
- Low-voltage 12-14VDC
- Enables more deck space
- Includes stainless steel or nylon cover
- Reliable, long-life LEDs will provide years of maintenance-free service
- 6602 designed to fit V21-9659 and V21-9959 Rigid Vinyl Flex Core Rub Rail profiles or other like profiles
- 6800D designed to fit the V21-9906 or the profiles that use the 3/4" stainless-steel inserts
- Meets ABYC/USCG requirements for 2 NM range
- Ideal for up to 30' boats
- Patent USD760427 on F38-6602-1



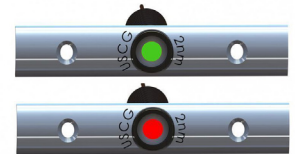
F38-6602-1



F38-6800D



F38-9960



F38-6810B

PART NUMBER	DESCRIPTION	PACK	UPC
F38-6602-1	Rub Rail Mounted Navigation Light Set	6	630838082857
F38-6710	Rub Rail Mounted Navigation Light Set	12	631208092049
F38-6800D	Rub Rail Mounted Navigation Light Set	6	630931089272
F38-6810B-1	Rub Rail Mounted Navigation Light Set	12	630959089551
F38-9960	Rub Rail Mounted Navigation Light Set (SuproFlex Only)	12	631363093592



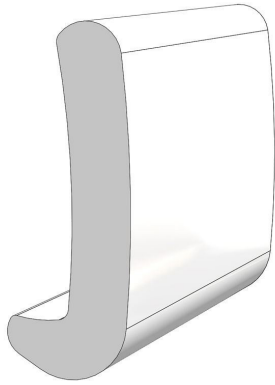
F38-6710



# RUB RAIL

## COMMERCIAL RUB RAIL

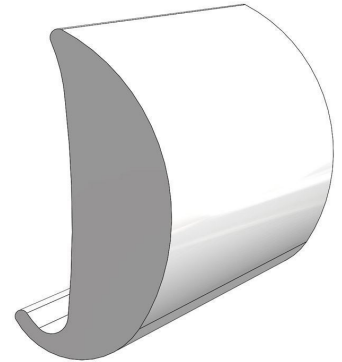
A boat has contours that challenge the need for Rub Rail protection. We meet those needs using the highest-quality vinyl components and precision engineering. Our Rigid Vinyl Rub Rail provides the ultimate in durability and elegance.



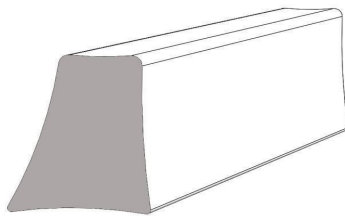
V21-9954



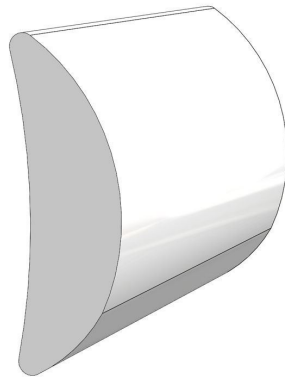
V21-9942



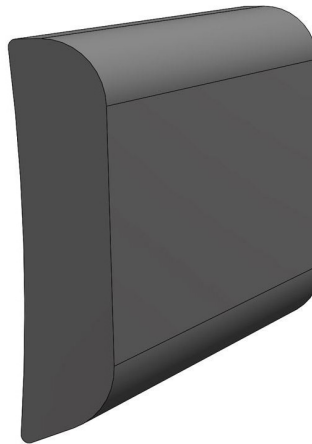
V21-9938



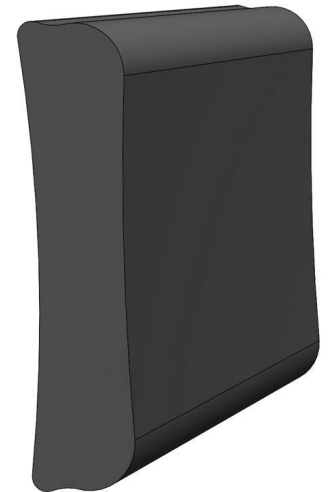
V21-9941



V21-9953



V21-9939



V21-9940

PART NUMBER	LENGTH	HEIGHT	WIDTH	TYPE	COLOR	DRILLED	UPC
V21-9938BKA20	20'	3"	1-1/2"	Rigid	Black	No	630904089001
V21-9938WHA20	20'	3"	1-1/2"	Rigid	White	No	630905089017
V21-9939BKA20	20'	3"	3/4"	Rigid	Black	No	630906089023
V21-9939WHA20	20'	3"	3/4"	Rigid	White	No	630907089039
V21-9940BKA20	20'	4"	7/8"	Rigid	Black	No	630908089045
V21-9940WHA20	20'	4"	7/8"	Rigid	White	No	630909089051
V21-9941WHA20	20'	1-1/4"	1-1/8"	Rigid	White	No	630838019419
V21-9942BKA20	20'	2-1/4"	1-1/2"	Rigid	Black	No	630902088983
V21-9942WHA20	20'	2-1/4"	1-1/2"	Rigid	White	No	630903088999
V21-9953BKA20	20'	3"	7/8"	Rigid	Black	No	630969089657
V21-9953WHA20	20'	3"	7/8"	Rigid	White	No	630970089660
V21-9954BKA20	20'	3-3/4"	1-3/8"	Rigid	Black	No	630967089635
V21-9954WHA20	20'	3-3/4"	1-3/8"	Rigid	White	No	63096808964

All profiles are MOQ required.



# TRIM & MOLDING

## HATCH TAPE, WEATHER SEAL & FLEX TRIM



### HATCH TAPE

Creates a tight, rattle-free seal with adhesive backing for convenient installation. Made of durable and flexible rubber compound.

### WEATHER SEAL

Absorbs shock and reduces vibration. Durable EDPM synthetic rubber compound. Adhesive backing is ideal for live-wells, exterior doors, instrument covers and electronic boxes.

### FLEX TRIM

Covers unfinished edges and follows almost any contour or radius.



#### FLEX TRIM

#### WEATHER SEAL

PART NUMBER	DESCRIPTION	PACK	UPC
V30-0109B10-1	5/8" Black Neoprene Seal, 10' retail pkd.	6	630838020309
V30-0113B10-1	3/8" Black Neoprene Seal, 10' retail pkd.	6	630838020323
V30-0744B8-2	3/4" X 1/8" Black Hatch Tape 8' retail pkd.	12	630838020378
V30-0748B8-2	3/4" X 1/4" Black Hatch Tape 8' retail pkd.	12	630838020385
V30-1005B25-1	3/16" Black Flexible Vinyl Trim, 25' retail pkd.	12	630838005702
V30-1005W25-1	3/16" White Flexible Vinyl Trim, 25' retail pkd.	12	630838005726
V30-1008B25-1	1/4" Black Flexible Vinyl Trim, 25' retail pkd.	12	630838005740
V30-1008W25-1	1/4" White Flexible Vinyl Trim, 25' retail pkd.	12	630838005764
V30-1312B25-1	3/8" Black Flexible Vinyl Trim, 25' retail pkd.	12	630838008154
V30-1312W25-1	3/8" White Flexible Vinyl Trim, 25' retail pkd.	12	630838008178
V30-1333B10-1	3/8" Black Neoprene Seal, 10' retail pkd.	12	630838020439

# CANVAS

## STAINLESS STEEL TUBING CUT PIECES



Strong, durable stainless steel tube for grab rails, bow rails and canvas top frames provide function and safety to your boat and finesse the boat's appearance.

- Ideally suited for bow and grab rails, canvas top frames
- Offered in a variety of sizes and wall thickness to suit wide range of applications
- Ideal for using with TACO Marine Top Fittings

### STAINLESS STEEL TUBE 1" X .065"

#### S14-1065



### STAINLESS STEEL TUBE 7/8" X .065"

#### S14-7865



### STAINLESS STEEL TUBE 1-1/4" X .065"

#### S14-1465



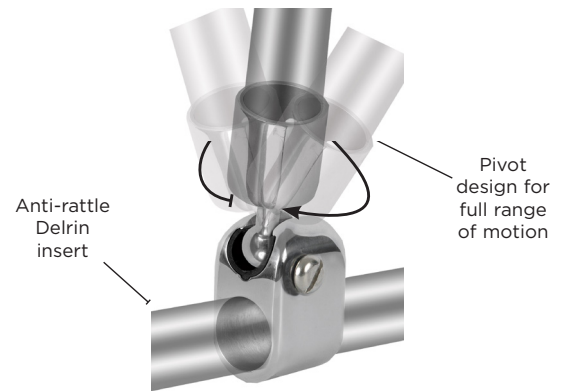
PART NUMBER	DESCRIPTION	PACK	UPC
S14-1065P4-1	304 Stainless Steel Tube, 1" OD x .065" x 4' L	9	631176091723
S14-1065P6-1	304 Stainless Steel Tube, 1" OD x .065" x 6' L	9	631177091789
S14-1065P8-1	304 Stainless Steel Tube, 1" OD x .065" x 8' L	9	631178091745
S14-7865P4-1	304 Stainless Steel Tube, 7/8" OD x .065" x 4' L	12	631172091680
S14-7865P6-1	304 Stainless Steel Tube, 7/8" OD x .065" x 6' L	12	631173091696
S14-7865P8-1	304 Stainless Steel Tube, 7/8" OD x .065" x 8' L	12	631174091701
S14-1465P4-1	304 Stainless Steel Tube, 1-1/4" OD x .065" x 4' L	6	631179091751
S14-1465P8-1	304 Stainless Steel Tube, 1-1/4" OD x .065" x 8' L	6	631180091764

# CANVAS

## BALL & SOCKET FITTINGS



- ▶ Polished stainless steel Type-316L
- ▶ Delrin insert provides quiet, rattle-free and smooth operation
- ▶ Top cap pivot design offers full rotation
- ▶ Deck hinges are offered in concave and flat mounts and will also fit windshield headers
- ▶ Secure fit
- ▶ Fits standard tube sizes
- ▶ Easy installation



**F11-0177S • F12-0181S**



**F11-0180S**



**F11-1001AS**



**F12-0300S**



**F13-0242**



**F13-0241**



**F13-0301**



**F13-244BN**

PART NUMBER	DESCRIPTION	TUBE SIZE	TUBE DEPTH	FASTENER	UNIT	PACK	UPC
F11-0177S-1	Top Cap	7/8"	1-1/8"	Set Screw	Each	12	630880088760
F12-0181S-1	Top Cap	1"	1-1/8"	Set Screw	Each	12	630883088798
F11-1001AS-1	Jaw Slide	7/8"	-	Set Screw	Each	12	630882088782
F12-0300S-1	Jaw Slide	1"	-	Set Screw	Each	12	630884088803
F11-0180S-1	90° Top Cap (Side Mount)	7/8"	1-1/8"	Set Screw	Each	12	630881088776
F13-0241/244BN-1	Flat Deck Hinge w/ Pin & Lanyard	7/8" *	-	#8 Flat Head	Each	12	630838024017
F13-0301/244BN-1	Flat Deck Hinge w/ Pin & Lanyard	7/8", 1", 1-1/4" *	-	#8 Flat Head	Each	12	630838024031
F13-0242/244BN-1	Concave Deck Hinge w/ Pin & Lanyard	7/8" *	-	#8 Flat Head	Each	12	630838024024
F13-0244BN-1	Stainless Steel Pin & Lanyard w/ Plastic Knob	-	-	-	Each	12	630885088819

\* Deck hinges are compatible with 3/4", 7/8", 1" and 1-1/4" tube

# MARINE ACCESSORIES

## FENDER LOCKS FOR FIBERGLASS BOATS



### QUICK RELEASE FENDER LOCK

- 7/8" ID for large rope
- Designed for simple single-hand operation
- Allows easy installation and removal of float-style fenders
- Large push-button for comfortable operation
- Stainless-steel Type-316L
- Overall height above deck: 1-3/5"
- Drain plug: 1/4" NPT



F16-0151-1



F16-1051R-1

PART NUMBER	DESCRIPTION	UNIT	PACK	UPC
F16-0151-1	Quick Release Fender Lock w/ 7/8" Eye Diameter	Each	12	630838084059
F16-0151R-1	Quick Release Fender Lock (Receiver Only)	Each	12	630838084882

### QUICK RELEASE FENDER LOCK FOR FIBERGLASS

- Manufactured from stainless steel Type-316L
- Overall height above deck is 1-11/16"
- Features a 1" diameter button
- Nylon ring washer to separate dissimilar metals
- Mounting application fastens from the bottom of the Receiver



PART NUMBER	DESCRIPTION	UNIT	PACK	UPC
F16-0200-1	Stainless Steel Quick Release Fender Lock	Each	12	630890088866



# MARINE ACCESSORIES

## FENDER LOCKS FOR PONTOON BOATS



### ALUMINUM QUICK RELEASE FENDER LOCK

- Manufactured from 6000-series Aluminum
- Designed for pontoon boats
- Features a 1" diameter button
- Fits 1" to 1-1/4" square tube
- Mounting application fastens from the bottom of the square tube



NEW

PART NUMBER	DESCRIPTION	UNIT	PACK	UPC
F18-0186VEL-1	Aluminum Quick Release Fender Lock, Satin Anodized	Each	12	631209092055

### PONTOON FENDER LOCK

- Designed for pontoon boats
- 7/8" ID for large rope
- 1" diameter button
- Stainless-steel Type-316L
- Fits 1" to 1-1/4" square tube
- Mounts from bottom of square tube
- Nylon ring to separate dissimilar metals



PART NUMBER	DESCRIPTION	UNIT	PACK	UPC
F16-0220-1	Stainless Steel Pontoon Fender Lock	Each	12	630890088866

# MARINE LUMBER

## KingStarboard®



- Available in full and half sheets and cut sizes individually shrink-wrapped for retail merchandising
- UV-stabilized, marine-grade polymer specifically designed to withstand harsh marine environments
- Excellent resistance to sun and salt water
- Ideal wood replacement for cabinets, dock and step boxes
- Easily drilled, cut and routed

PART NUMBER	LENGTH	WIDTH	HEIGHT	COLOR	PACK	UPC
P10-2506WHA12-1	6"	12"	1/4"	White	4	630838087883
P10-2512WHA12-1	12"	12"	1/4"	White	4	630838087890
P10-2512WHA27-1	12"	27"	1/4"	White	12	630838025335
P10-2524BLK54-1	24"	54"	1/4"	Black	4	630838012229
P10-2524WHA27-1	24"	27"	1/4"	Black	12	630838025328
P10-2524WHA54-1	24"	54"	1/4"	White	4	630838012212
P10-5012BLK27-1	12"	27"	1/2"	Black	9	630838009250
P10-5012WHA27-1	12"	27"	1/2"	White	9	630838008994
P10-5024BLK27-1	24"	27"	1/2"	Black	9	630838009267
P10-5024BLK54-1	24"	54"	1/2"	Black	4	630838009274
P10-5024WHA27-1	24"	27"	1/2"	White	9	630838009007
P10-5024WHA54-1	24"	54"	1/2"	White	4	630838009014
P10-7512BLK27-1	12"	27"	3/4"	Black	9	630838009403
P10-7512WHA27-1	12"	27"	3/4"	White	9	630838009304
P10-7524WHA27-1	24"	27"	3/4"	White	6	630838009311
P10-7524WHA54-1	24"	54"	3/4"	White	4	630838009328

## KINGSTARBOARD® ANTI-SKID POLYMER SHEET

- UV-stabilized, high-density polyethylene
- High-friction surface in a diamond pattern finish helps drainage when wet
- Conforms to ASTM D2047 Slip Resistant
- Resists most stains and does not change color
- Rotting and chemical resistant or delaminate



### Applications

- Bow Pulpits
- Decking
- Hatches
- Ladder Steps
- Boarding Areas
- Swim Platforms
- Shower Floors
- Stairways and Entry Ways
- Step Threads

PART NUMBER	DESCRIPTION	LENGTH	WIDTH	HEIGHT	PACK	UPC
P14-5012WHA27-1	KingStarboard Anti-Skid Sheet	12"	27"	1/2"	9	630838085186
P14-7512WHA27-1	KingStarboard Anti-Skid Sheet	12"	27"	3/4"	9	630838085209

# LED LIGHTS

## DECK LIGHTS



All of our LED Deck Lights are USCG, ISO and SAE certified for Ignition Protection.\*

### 4-LED DECK LIGHT - FLAT MOUNT



- Ideal for hardtops, consoles, interior cabins and under gunnels
- Compact design bolts directly to any flat surface 5" L and 1-3/8" W
- 10 watt equivalent to a 55-watt halogen flood light
- Powerful 700-lumen output with 100° spread beam angle
- Very low power consumption (0.9 amps @ 12V, 0.5 amps @ 24V)
- Available in white UV-resistant polycarbonate housing
- Anodized aluminum heatsink
- Available mounting options:  
Stainless-steel swivel bracket or 3M adhesive tape



### T-TOP LIGHT WITH ALUMINUM HOUSING & TUBE LIGHT

- 108 LEDs
- Available with either white / red or white / blue lights
- 300-lumens white light / 150-lumens color light
- Efficient 100,000 hours of operation
- Low draw <.5 Amperes
- Waterproof (non-submersible)
- Impact-resistant polycarbonate lens
- Fits most existing fluorescent T-top light housings
- Polished, anodized aluminum housing (F38-2050B-1 and F38-2050R-1)
- 14' wiring cable



**F38-2060**



**F38-2050**

PART NUMBER	DESCRIPTION	LED COLOR	PACK	UNIT	UPC
F38-8800W-1	4-LED Deck Light - Flat Mount, White Housing	White	6	Each	630838087739
F38-2050B-1	LED T-TOP Light w/ Aluminum Housing (White w/ Blue Lights)	White/Blue	6	Each	630838084127
F38-2050R-1	LED T-TOP Light w/ Aluminum Housing (White w/ Red Lights)	White/Red	6	Each	630838084134
F38-2060B-1	LED T-TOP Light (White w/ Blue Lights)	White/Blue	6	Each	630838084141
F38-2060R-1	LED T-TOP Light (White w/ Red Lights)	White/Red	6	Each	630838084158

\*Completely sealed lights have been tested in an explosive environment and exposed to an explosive atmosphere in high temperatures that includes powering on-off 50 times without igniting the atmosphere at a temperature not exceeding 200° C. These certificates demonstrate the ability to consistently provide product that meets statutory and regulatory requirements that assure customer satisfaction and safety. Ideal for use in engine rooms, battery compartments and anywhere fire safety is of most importance.

# MARINE ACCESSORIES

## MULTI-PURPOSE 15° PORTABLE CLEAT

- ▶ Stainless steel Type-304
- ▶ Large S-shape 9" cleat design
- ▶ Accommodates up to 3/4" dock line for larger boat applications
- ▶ Tube O.D. 1.25" fits into standard rod holders 1-5/8" diameter
- ▶ Loop hole design to hang fenders over the side
- ▶ Ideal for hanging hose while washing boat
- ▶ Packaged in mesh bag for easy drying if stored wet and to avoid scratching deck or storage surfaces on the boat



PART NUMBER	DESCRIPTION	UNIT	PACK	UPC
F16-0861POL-1	Multi-Purpose Cleat - 15° SS Type 304	EA	4	631376093725

## COME ON BOARD HANDLE

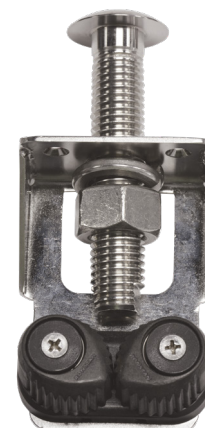
- ▶ Manufactured from stainless steel Type-304
- ▶ Unique finger-molded groove handle designed for comfortable, secure grip
- ▶ The stainless-steel receiver base is ideal for gunnel or transom platform mounting
- ▶ Attaches permanently to gunnel mount
- ▶ Multiple piece design for easy storage
- ▶ Packaged in mesh bag for easy drying if stored wet and to avoid scratching deck or storage surfaces on the boat



PART NUMBER	DESCRIPTION	UNIT	PACK	UPC
F16-0800-1	"Come On Board" Handle (Fixed Base Mount - 56-1/4" Length)	Each	2	630838084905
F16-0800C-1	"Come On Board" Handle Fixed Base Mount Receiver Only	Each	4	630838084981
F16-0810-1	"Come On Board" Handle (Rod Holder Mount - 57-1/2" Length)	Each	2	630838084899

## OUTRIGGER LINE TENSIONER

- ▶ Stainless-steel Type-316L construction
- ▶ Includes 18-8 stainless-steel mounting hardware
- ▶ Mushroom head threaded bolt
- ▶ Adjustable for boats with 1" to 2-1/2" gunnel thickness
- ▶ Easy Ronstan medium cam cleat for 1/8" to 1/2" rope
- ▶ Heavy-duty lock washer to prevent loosening from excess vibration
- ▶ Electro-polished bracket with countersunk mounting holes



PART NUMBER	DESCRIPTION	UNIT	WEIGHT	PACK	UPC
F16-0204-1	Outrigger Line Tensioner	Each	.88 lbs	4	630879088757



# POLY ACCESSORIES



## TRAILER GLYDE SLICKS

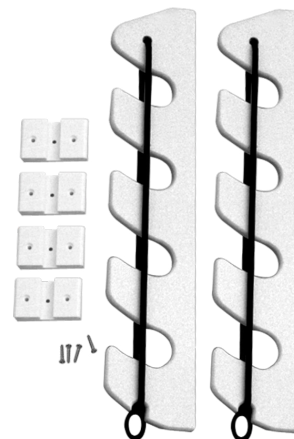
- ▶ Launch and load your boat with ease
- ▶ Eliminates friction between the bottom of the boat and the runners
- ▶ Easily installed on carpeted or bare bunks
- ▶ Evenly distributes the weight of the boat
- ▶ Light-duty Glyde Slicks are ideal for boats under 600 lbs.
- ▶ Includes stainless-steel screws and instructions



PART NUMBER	DESCRIPTION	DIMENSIONS	PACK	UNIT	UPC
P05-06W	6, Light Duty Glyde Slicks	2' L x 1-5/8" W x 7/16" Thick	12	Each	045038586065
P05-08W	8, Light Duty Glyde Slicks	2' L x 1-5/8" W x 7/16" Thick	12	Each	045038586089

## BUNGEE ROD HOLDER

- ▶ Perfect for under-gunnel rod storage
- ▶ Includes mounting plates and hardware for easy installation
- ▶ Bungee cords keep your rods safe and secure
- ▶ UV-stabilized high-density polyethylene
- ▶ Sold as a pair



PART NUMBER	DESCRIPTION	PACK	UNIT	UPC
P03-132W	2-Rod Bungee Rod Holder	4	Each	045038511227
P03-133W	3-Rod Bungee Rod Holder	4	Each	630838032043
P03-134W	4-Rod Bungee Rod Holder	4	Each	045038511340

**P03-134**

## SURFACE MOUNT ROD HOLDERS

### P04-0111W

- ▶ UV-stabilized high-density polyethylene
- ▶ Front access hole

### P04-011W

- ▶ UV-stabilized high-density polyethylene
- ▶ Pre-drilled mount access holes
- ▶ Integrated standoffs for easy mounting
- ▶ Stainless-steel hardware



**P04-0111W**

**P04-011W**

PART NUMBER	DESCRIPTION	INSIDE DIA.	PACK	UNIT	UPC
P04-011W	Thru Bolt Surface Mount Rod Holder	1-3/4"	27	Each	045038501013
P04-0111W	Stand-Off Surface Mount Rod Holder	1-3/4"	27	Each	045038525118

# SPORT FISHING

## ROD STORAGE

### CLAMP-ON SS ADJUSTABLE ROD HOLDER

- Adjustable clamp to fit multiple pipe and tube sizes
- For use on vertical and horizontal pipe/tube
- Rotate and lock-in fishing angle
- Polished finish



PART NUMBER	TUBE OD	PIPE	ROD HOLDER ID	PACK	UNIT	UPC
F16-2600POL-1	7/8" & 1"	----	1-3/4"	6	Each	630838022136
F16-2623POL-1	1 1/4"	1-1/16" & 1-5/16"	1-3/4"	6	Each	630838028534
F16-2630POL-1	1-11/16"	1-15/16"	1-7/8"	6	Each	630838022006



### ROD HANGER & ROD HANGER RACK

- Secure storage for big-game and spinning rods
- Spring locking rod tip holder
- Polished stainless-steel/Delrin rod hanger components
- Store multiple rods in convenient easy-mount racks with pre-drilled recessed mounting holes
- UV-stabilized poly racks with beveled edges offer a finished look



PART NUMBER	DESCRIPTION	PACK	UNIT	UPC
F16-2700-1	Rod Hanger Components Kit	6	Each	630838021139
F16-2751-1	2-Rod Hanger Rack, Stainless Steel	6	Pair	630838030087
F16-2753-1	3-Rod Hanger Rack, Stainless Steel	6	Pair	630838032036
F16-2752-1	4-Rod Hanger Rack, Stainless Steel	6	Pair	630838030094



F16-2752-1



F16-2700-1

### DELUXE POLY ROD RACK

- Rugged reinforced polyethylene
- Adjust, add or remove easily with standard Allen wrench
- Clamp adjusts to fit two pipe/tube sizes
- 1-3/4" ID flared rod holder
- Rotates and locks in place



P03-062



P03-063



PART NUMBER	DESCRIPTION	PACK	UNIT	UPC
P03-062W	2-Rod Deluxe Poly Rod Rack	8	Each	045038543228
P03-063W	3-Rod Deluxe Poly Rod Rack	8	Each	045038543334
P03-063B	3-Rod Deluxe Poly Rod Rack	8	Each	045038545338
P03-064W	4-Rod Deluxe Poly Rod Rack	8	Each	045038543440
P03-064B	4-Rod Deluxe Poly Rod Rack	8	Each	045038545444



P03-064

# SPORT FISHING

## ROD STORAGE



### ADJUSTABLE TRANSOM MOUNT ROD RACK



- ▶ Brushed anodized aluminum for long-lasting performance and beauty
- ▶ Mounts to transom to maximize on-board rod storage
- ▶ Splines offer adjustable rack angle to fit any boat's transom
- ▶ Easy bolt-on installation



PART NUMBER	DESCRIPTION	PACK	UNIT	UPC
F31-3504BSA-1	4-Rod Transom Mount Rack, 1-7/8" Rod Holder ID, 10"H	4	Each	630838030346

### ALUMINUM ROD RACK

- ▶ Brushed anodized aluminum for long-lasting performance and beauty
- ▶ Mounts to transom to maximize on-board rod storage
- ▶ Splines offer adjustable rack angle to fit any boat's transom
- ▶ Easy bolt-on installation



PART NUMBER	DESCRIPTION	PACK	UNIT	UPC
F31-3003BSA-1	3-Rod Holder Rack, 1 1/2" Rod Holder ID, 8-1/2"H	4	Each	630838030148
F31-3004BSA-1	4-Rod Holder Rack, 1 1/2" Rod Holder ID, 8-1/2"H	4	Each	630838030155

# HINGES

## COMMAND RATCHET HINGES



Constructed from high-grade stainless steel and brass, our Command Ratchet Hinges are ideal for sunpads, bolsters and lounge backrests. The 9-3/8" heavy-duty specialty hinge features a 15° locking inclination and ratchets up to four positions. The 18-1/2" heavy-duty specialty hinge features one locking position at 61.5°.



### COMMAND RATCHET HINGE 9-3/8"

- ▶ Polished, marine-grade stainless-steel Type-304
- ▶ All brass bearings for durability
- ▶ Meets ABYC H-31 standards class B\* application, 250lb ft of torque load for pair
- ▶ 15° locking inclination increments starting at 30°
- ▶ Easily adaptable to many applications
- ▶ Designed for up to 4" thick cushions
- ▶ Returns to horizontal position at 100°
- ▶ Countersunk for #10 fastener or 1/4-20 bolt
- ▶ Sold in pairs

### COMMAND RATCHET HINGE 18-1/3"

- ▶ Polished, marine-grade stainless-steel Type-304
- ▶ Mounts above the deck
- ▶ One locking position at 61.5°
- ▶ Can be used for seat-backs up to 22" long
- ▶ Single or double seat capacity
- ▶ Meets ABYC H-31 standards class B\* application, 500 ft-lb. of torque load for pair
- ▶ 500-hour salt fog test
- ▶ For cushions up to 4" thick
- ▶ Sold in pairs

Patent numbers US 8,875,347 and US 9,249,827

PART NUMBER	DESCRIPTION	LENGTH	WIDTH	GAUGE	SCREW	UPC
H25-0016	Command Ratchet Hinge	9-3/8"	3"	.10"	#10 or 1/4" bolt	630838084042
H25-0023	Command Ratchet Hinge	18-1/2"	3"	.10"	#10 or 1/4" bolt	630896088921



# LEARNING POSTS



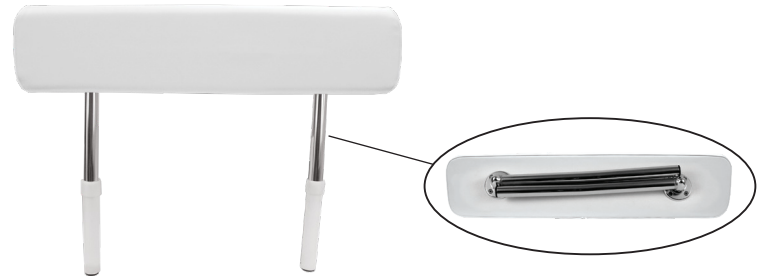
## NEPTUNE PREMIUM LEANING POST

- Removable fiberglass storage tray
- Four flush-mounted aluminum rod holders
- Folding foot rest
- Wrap around grab rail
- Durable aluminum seat hinges
- 72-qrt cooler storage area with strap
- Hand-laid fiberglass deck
- Aluminum frame, marine-grade pipe
- Hand-polished mirror finish and anodized after fabrication
- No painted welds or crazing around bends
- Continuous flat bar mounting pads
- Mildew, fungus and UV-resistant



## UNIVERSAL LEANING POST BACKREST

- Universal design to fit most leaning posts
- Arms install at desired width to fit rod holders
- Arms fold for easy storage when not in use



## NEPTUNE III LEANING POST NEPTUNE III DELUXE LEANING POST

- Four poly tulip rod holders (L10-2005BSA-1)
- Four aluminum tulip rod holders and Back Rest/Grabrail (L10-2010BSA-1)
- Folding foot rest
- Cooler storage area and strap
- Aluminum frame, spiral sanded, bright dip anodized
- One-piece welded frame construction made from marine-grade aluminum
- Seat cushions constructed with marine-grade vinyl, foam and PVC board substrate
- Anti-warp and anti-rot
- Mildew, fungus and UV-resistant
- Stock frames for immediate shipping



L10-2005BSA-1



L10-2010BSA-1

PRODUCT NUMBER	DESCRIPTION	UNIT	PACK	UPC
L10-1001-1	Neptune Premium Leaning Post w/ fiberglass storage	Each	4	630838023294
L10-1002-1	Universal Leaning Post Backrest w/ folding arms	Each	4	630838023331
L10-2005BSA-1	Neptune III Leaning Post w/ 4 Poly Rod Holders	Each	4	630838082949
L10-2010BSA-1	Neptune III Deluxe Leaning Post w/ Backrest, Grab Rail & 4 Aluminum Rod Holders	Each	4	630838082840

# LEANING POSTS



## NEPTUNE II LEANING POST



- ▶ Polished, anodized aluminum frame with grab-rail
- ▶ Four aluminum rod holders
- ▶ Folding foot rest
- ▶ Full-length mounting pads
- ▶ 72-quart storage area with strap
- ▶ Convenient, removable soft side under-seat storage bag
- ▶ Mildew, fungus and UV-resistant marine-grade vinyl fabric
- ▶ Features four adjustable aluminum rod holders and a folding footrest
- ▶ Continuous flat bar mounting pads



## NEPTUNE TACKLE STORAGE BAG

- ▶ Large center storage space accommodates four full-size 3700 Plano boxes, four Plano 3600 boxes and four smaller Plano boxes
- ▶ Two 9" inner pockets - ideal for storing personal items
- ▶ One 29" long tool compartment for safely storing all tackle gear
- ▶ Includes welt track clips for hanging on Neptune II Leaning Post
- ▶ Two double zippered outer pockets - ideal for up to five fluorocarbon spools
- ▶ Carbon gray 1000 denier fabric with black trim and YKK marine-grade zippers
- ▶ Hard-shell bottom liner with 6 rubber feet and drain holes



PRODUCT NUMBER	DESCRIPTION	UNIT	PACK	UPC
L10-1003-1	Neptune II Leaning Post w/ Neptune Tackle Storage Bag	Each	4	630838025403
L10-1003BAG	Neptune Tackle Storage Bag	Each	2	630838029067

# ABOUT TACO

We create and provide the finest products across an expansive line of categories, listed below. We use only the highest quality materials, including Type-316L stainless steel, marine-grade aluminum alloys and weather-resistant plastic resins and compounds. Our breadth of capabilities and marine expertise means we have you covered from stem to stern.

- ▶ SPORT FISHING
- ▶ RUB RAIL
- ▶ SEATING & TABLE PEDESTALS
- ▶ CANVAS & SHADE
- ▶ TOP & TOWER FABRICATION
- ▶ TRIM & MOLDING
- ▶ HINGES & LATCHES
- ▶ LED LIGHTS & ELECTRONICS
- ▶ DOCKSIDE ACCESSORIES



EMPOWERED BY  PATRICK

   @tacomarine  
 @taco\_marine



**HEADQUARTERS**

TACO Metals, LLC.

[sales@tacometals.com](mailto:sales@tacometals.com)

**DISTRIBUTION AND SALES**

Largo, FL  
Summerville, SC  
Sparta, TN

**MANUFACTURING**

Sparta, TN  
Largo, FL  
Kunshan, China